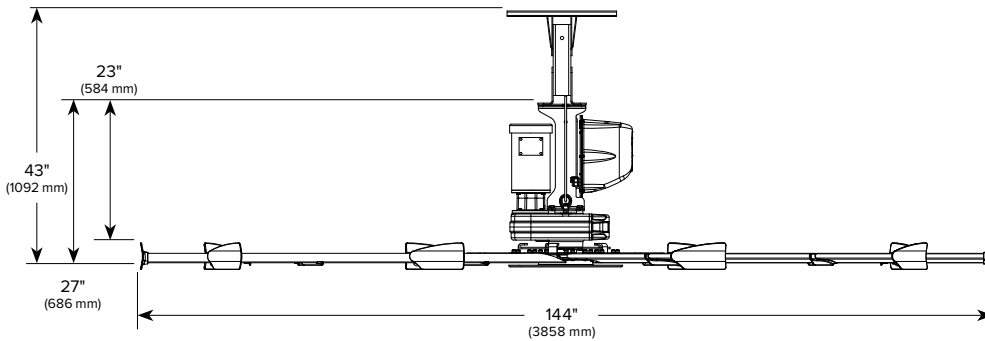


POWERFOIL® X2.0

with Nitro Seal Drive™

12 Ft



Extension Tubes

1 ft (0.3 m) to 15 ft (4.5 m)

Standard 1 ft (0.3 m) shown

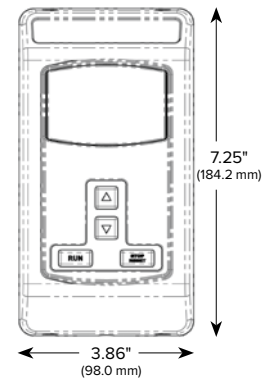
Technical Specifications	
Model number	PFX2.0-12
Number and type of airfoils	10 patented Powerfoil® airfoils 10 patent-pending AirFence™
Airfoil finish	Mill finish aluminum or custom color finish
Winglet (standard color)	10 patented Powerfoil winglets (safety yellow)
Fan weight (as shown)	292 lbs [132 kg]
Motor	1.0 HP [0.75 kw]; c-face motor adaptor
Maximum speed	106 RPM
Maximum amps	3.8 A @ 200–250 V 1.9 A @ 400–480 V
Input power and required breaker	200–250 VAC, 50/60 Hz, 1 Φ, 20 A 200–250 VAC, 50/60 Hz, 3 Φ, 10 A 400–480 VAC, 50/60 Hz, 3 Φ, 10 A
Purpose-built STOBBER Drives gearbox	NitroSeal Drive™ with <11 arc minutes backlash, HeliCamber® gear technology, SKF tapered roller bearings, 2-½" [63.5 mm] hollow output shaft, Simrit® double lipped output seals, lifetime synthetic oil, Nitrogen filled and permanently sealed
Redundant safety features	Airfoil retainers, hub clips, safety cables, grade 8 bolts
Onboard controller	Polycarbonate based enclosure, built-in heatsink
Controller	X-series; digital wall keypad Includes 150 ft of factory-assembled CAT5 cable
Fire relay	Included
Mount (standard)	Small Ibeam
Mount (options)	Large Ibeam, spanned angle iron, small/large L-bracket, Z-purlins
Sound level at maximum speed ¹	< 55 dBA
Minimum airfoil clearances required	2 ft [0.6 m] on sides, 3 ft [0.9 m] below ceiling deck
Certifications (whole fan)	ANSI/UL 507 CAN/CSA C.22.2 No. 113-08

¹Sound level measured at a blade height of 20 ft [6 m] and 20 ft [6 m] horizontally from center of fan.

OPTIONS

- SmartSense365 for year-round automated control
- 24 hr digital timer
- Custom color packages
- 100 W Halide light
- Security camera
- 8 ft — 24 ft diameters

X-Series Wall Keypad



- Provides full control of all fan functions
- Can be located up to 1,000 ft from fan
- Single keypad can operate unlimited number of fans
- Lockout with 4-digit passcode



15 year parts, 1 year labor warranty; certain exclusions apply. See complete warranty for details.

Covered by one or more of the following U.S. Patents: 6,244,821; 6,589,016; 6,817,835; 6,939,108; 7,252,478; 7,284,960; 7,654,798; D587,799; D607,988 and other patents pending.