



Air. On The Go. NOW!

The rugged, 8-ft vertical AirGo™ delivers air flow half the length of a football field, yet is quiet enough to carry on a friendly conversation directly in front of the fan. From the heavy-duty steel tubing and the rigid screen, to the high efficiency motor and gearbox, AirGo is made from all-welded construction by hand for unmatched durability. Fully assembled and no installation, AirGo delivers the breeze without delay – where and when you need it most.



Minimal Assembly

- No installation needed, just attach wheels
- Factory pre-assembled

Mobility

- Indoor/outdoor wheels with rubber tread for easy movement
- Simply plug AirGo into any 110 V, 15 A receptacle

Low Noise

- Even at full speed, conversations can be conducted easily
- 43.2 dBA at maximum speed – AirGo delivers immediate relief without the noise

Versatility

- Floor-to-ceiling coverage with easy adjustment of rugged, quick-lock handles
- Aim down aisles, over and around obstacles, compact work areas, and low or obstructed ceilings

Durability

- Heavy gauge steel frame and cage provide protection in the toughest environments
- Powder coated “safety yellow” for resistance to weather and corrosion – indoors or out

Performance

- Approximately 6,000 square ft of floor coverage area
- Cooling breeze measured at 140 ft – that’s almost half a football field!



Ask how Big Ass Fans contributes to LEED® credits in: Optimized Energy Performance; Enhanced Refrigerant Management; Minimum Indoor Air Quality Performance; Increased Ventilation; Thermal Comfort – Design; Innovation in Design.

BIG ASS FANS
WWW.BIGASSFANS.COM
 An ISO 9001:2008 certified company

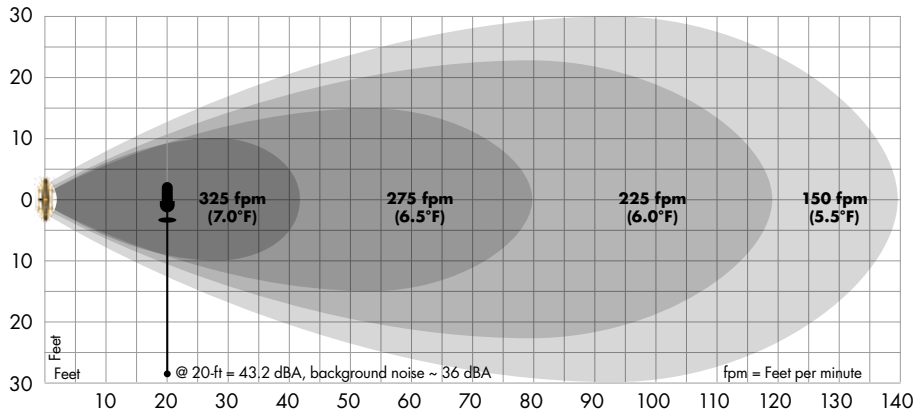
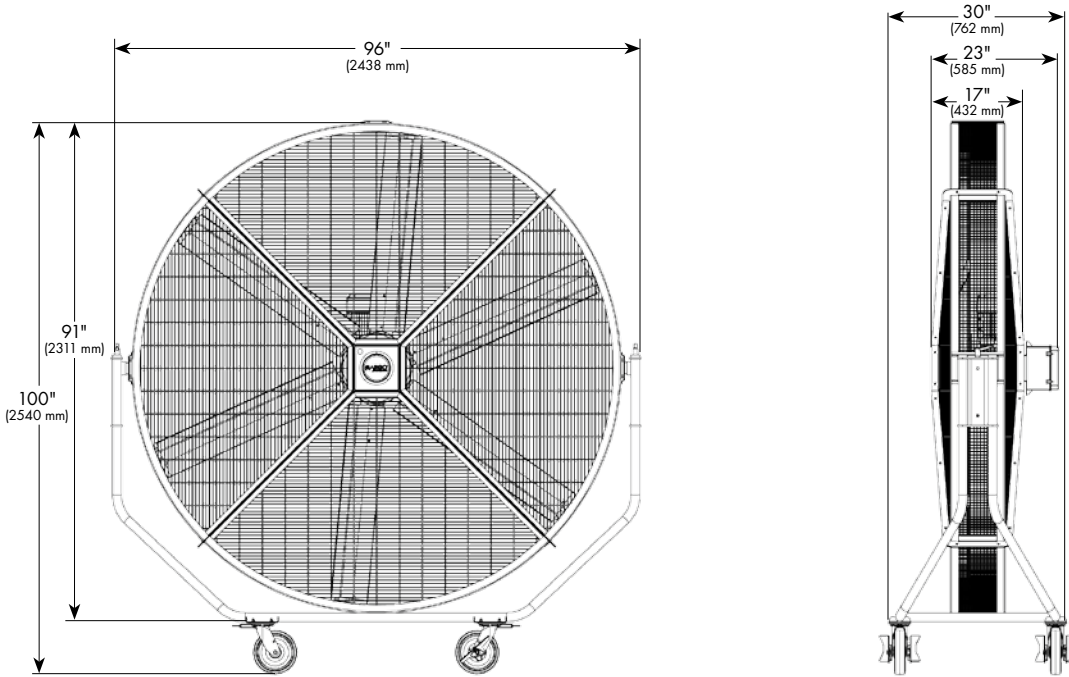
No Equal.



TECHNICAL SPECIFICATIONS

Technical Specifications	
Dimensions (W x H x D)	96" (2438 mm) x 100" (2540 mm) x 30" (762 mm)
Cage	OSHA compliant
Controller	AirGo variable speed control
Input power	100-125 VAC, 1 Φ , 15 A
Motor	0.5 HP (0.37 kW)
Maximum speed	180 RPM
Maximum amps	12 A
Sound level (maximum speed)*	43.2 dBA
Weight (as shown)	450 lbs

*dBA as measured 20' from fan center, background noise ~ 33 - 36 dBA



- Air speeds are the average velocity for each zone
- Air speeds were measured 67" from the floor
- Perceived cooling (parentheses) based on ASHRAE Thermal Comfort Tool (air temp 85°F, relative humidity 50%, clo 0.5)

May be covered by one or more of the following U.S. Patents: 6,244,821; 6,589,016; 6,817,835; 6,939,108; 7,252,478; 7,284,960; D587,799; D607,988 and other patents pending.



Big Ass Fans
 800 Winchester Road
 Lexington, KY 40505
 877-BIG FANS
 (877-244-3267)
 www.BigAssFans.com